

The background features large, overlapping geometric shapes in shades of light gray and dark blue. A dark blue shape at the top left contains a faint, light gray grid pattern with small dots and thin lines, suggesting a technical or scientific theme. The main title is centered in a bold, dark blue, sans-serif font.

FLUID MANAGEMENT SOLUTION

GCMEDICA ENTERPRISE LTD.(WUXI)
GCMEDICA ENTERPRISE LTD.(WUXI)

01

SUCTION SYSTEM

----- 01 - 08

● OUTER CANISTER & LINER -----	01-04
Single Use Soft Liner -----	02
Outer Canister -----	02
Soft Liners with Suction Tubing and Vacuum Control Adaptor -----	03
Vacuum Control Adaptor -----	03
Roll Stand -----	04
Automatic Transfer of Fluids -----	04
Universal Manifold Tubing -----	04
Wall Mount -----	04
● RIGID CANISTERS -----	05-08
HUMITE Canister -----	05
EPIDOTE Canister with Filter Kit -----	05
BRUCITE Canister -----	06
EPIDOTE Canister -----	06
OMPHACITE Canister -----	07
Reusable Metal Holder For Reusable Canister -----	08
Wire Ring for Suction Canister -----	08

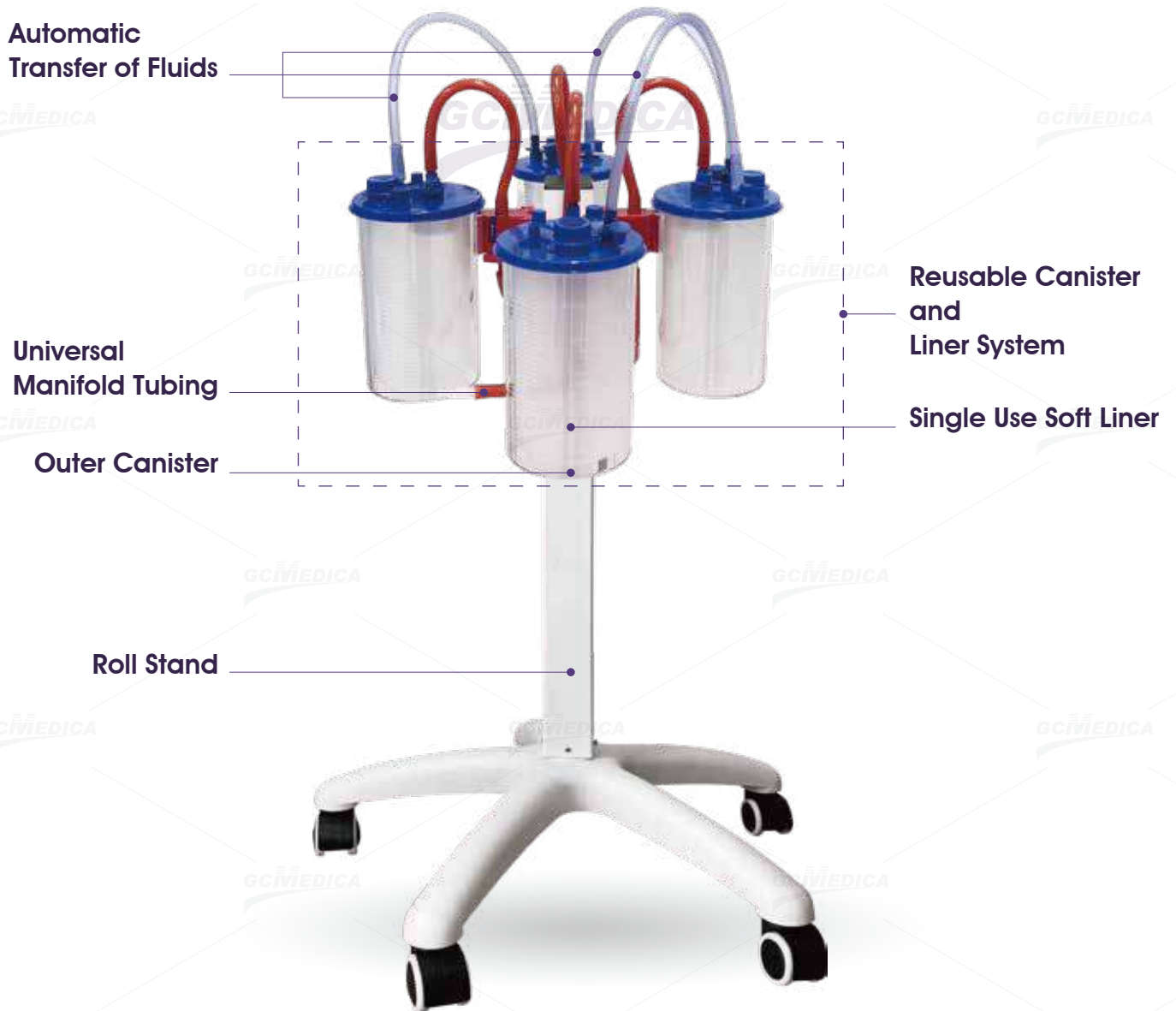
01 SUCTION SYSTEM

OUTER CANISTER & LINER

GCMedica offers several fluid collection solutions.

Options include rigid suction canister and replaceable suction liners with reusable outer canister.

A variety of accessories and hardware are also available to allow the use of suction canisters and liners in virtually all areas of a facility including Patient Rooms, Operating Rooms, CCU, ICU, Post-Op, and Recovery, as well as on portable suction equipment.



Single Use Soft Liner

FEATURES:

- Available sizes includes 1000ml, 1500ml, 3000ml
- One-way valve on patient port allows increased security



Product code	Description
GC1941B10	Soft Liner, 1000ml, with solidifier
GC1941B15	Soft Liner, 1500ml, with solidifier
GC1941B30	Soft Liner, 3000ml, with solidifier
GC1941B10N	Soft Liner, 1000ml
GC1941B15N	Soft Liner, 1500ml
GC1941B30N	Soft Liner, 3000ml



Solidifier Pack

Outer Canister

FEATURES:

- Available sizes includes 1000ml, 1500ml, 3000ml
- Assembled with internal on-off valve
- Eco-friendly reusable



Product code	Description
GC1962A10	1000ml, with internal on-off valve
GC1962A15	1500ml, with internal on-off valve
GC1962A30	3000ml, with internal on-off valve

Soft Liners with Suction Tubing and Vacuum Control Adaptor

Product code	Description
GC3041R11N	1.0L Soft Liner + 6mm × 1.8m tubing and adult stop
GC3041R12N	1.5L Soft Liner + 6mm × 1.8m tubing and adult stop
GC3041R13N	3.0L Soft Liner + 6mm × 3m tubing and adult stop
GC3041R21N	1.0L Soft Liner + 6mm × 1.8m tubing and pediatric stop
GC3041R22N	1.5L Soft Liner + 6mm × 1.8m tubing and pediatric stop
GC3041R11	1.0L Soft Liner + 6mm × 1.8m tubing and adult stop, with solidifier
GC3041R12	1.5L Soft Liner + 6mm × 1.8m tubing and adult stop, with solidifier
GC3041R13	3.0L Soft Liner + 6mm × 3m tubing and adult stop, with solidifier
GC3041R21	1.0L Soft Liner + 6mm × 1.8m tubing and pediatric stop, with solidifier
GC3041R22	1.5L Soft Liner + 6mm × 1.8m tubing and pediatric stop, with solidifier



Solidifier Pack

Vacuum Control Adaptor

Product code	Description
GC3042A01	Adult
GC3042A02	Pediatric





Roll Stand

Product code	Description
GC1993A01	Roll stand



Automatic Transfer of Fluids

Product code	Description
GC1997S10	Tandem tube for single use soft liner



Universal Manifold Tubing

Product code	Description
GC1997A01	Two canisters manifold tubing
GC1997A02	Three canisters manifold tubing
GC1997A03	Four canisters manifold tubing



Wall Mount

Product code	Description
GC1993B01	Plastic wall mount

RIGID CANISTERS

HUMITE Canister

FEATURES:

- 800cc disposable suction canister
- Lids contain multiple ports for versatility, universal ports and size for use with most suction machines
- Self-sealing lid provides leak-free seal
- Frosted panel provides writing area when needed, large, easy to read graduations



Product code	Description
GC1957H08	Floating shutoff valve

EPIDOTE Canister with Filter Kit



Product code	Description
GC1957R08	Including 800cc suction canister, 1.8m suction tubing, filter

BRUCITE Canister

FEATURES:

- Self-sealing lid provides leak-free seal
- Mechanical shutoff valve prevents overflow and contamination
- Single use



Product code	Description
GC1957D12	Mechanical shutoff valve

EPIDOTE Canister

FEATURES:

- Both floating shutoff valve lid or non-mechanical shut off lid are available
- Available with tubing kit, including a piece of Tandem tube and a piece of 1800mm suction connecting tube
- Elbow adaptors allow tubing to connect at right angles to help prevent kinking and impeded fluid flow
- 800cc and 1200cc are available



Product code	Description
GC1957B08	Floating shutoff valve, 800cc
GC1957B12	Floating shutoff valve, 1200cc
GC1957S08	Floating shutoff valve, 800cc, 1.8m+46cm tubing kit
GC1957S12	Floating shutoff valve, 1200cc, 1.8m+46cm tubing kit
GC1957C08	Non-mechanical shutoff valve, 800cc
GC1957C12	Non-mechanical shutoff valve, 1200cc
GC1957T08	Non-mechanical shutoff valve, 800cc, 1.8m+46cm tubing kit
GC1957T12	Non-mechanical shutoff valve, 1200cc, 1.8m+46cm tubing kit

OMPHACITE Canister

FEATURES:

- Various volume can meet the demand of different medical scenarios
- The lid includes accessory and orthopedic ports
- The lid is equipped with an automatic shut-off valve, which helps prevent cross contamination between the regulator and the wall vacuum outlet
- Locking the lid helps with proper handling of infectious liquid medical waste and improves worker safety
- 90° adapters allow tubing to be connected at right angles, helping to prevent kinks and restriction of fluid flow



GC1957E12

Product code	Description
GC1957A12	Non-mechanical shutoff valve, 1200cc
GC1957A20	Non-mechanical shutoff valve, 2000cc
GC1957A30	Non-mechanical shutoff valve, 3000cc
GC1957Q12	GC1957A12, With 180cm-7.5mm × 5.0mm tubing kit
GC1957W12	GC1957A12, With 270cm-10.0mm × 6.4mm tubing kit
GC1957Q20	GC1957A20, With 180cm-7.5mm × 5.0mm tubing kit
GC1957E12	1200cc, directly connected to the Pressure Regulating Valve



Reusable Metal Holder For Reusable Canister

FEATURES:

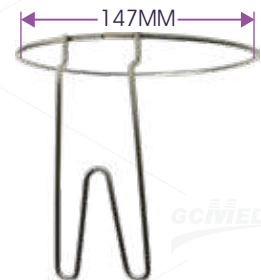
- Excellent corrosion resistance
- Strong structure, stronger load-bearing capacity
- Reusable. Easy to clean
- It can be customized according to the specific needs of the hospital and the size of the waste liquid collection device



Product code	Description
GC1993D01	Desk-Flat
GC1993D02	wall-mounted

Wire Ring for Suction Canister

Product code	Description	Picture
GC1993C01	ID14.7cm, H13.5cm, adapter for Brucite Canister	 Brucite Canister
GC1993C02	ID12.2cm, H13.5cm, adapter for Epidote Canister	 Epidote Canister
GC1993C03	ID11.8cm, H13.5cm, adapter for Omphacite Canister	 Omphacite Canister



02

SUCTION DEVICES

09 - 19

- **FLEXI-CLEAR YANKAUER HANDLE** 09-10
 - Super-Smooth Distal Yankauer 09
 - Atraumatic Tip Yankauer 10
- **MOLDED YANKAUER** 11-17
 - On/off Yankauer 11
 - Bulb Tip Yankauer 11
 - Plain Tip Yankauer 12
 - Flange Tip Yankauer 12
 - Tapered Tip Yankauer 13
 - Crown Tip Yankauer 13
 - Tri-Grasp Suction Handle 14-15
 - MegaFlow 16
 - Male Connector Suction Tip 17
- **POOLE SUCTION HANDLE** 18
- **SUCTION PROBE** 19
 - Suction Probe with Male Connector 19

02 SUCTION DEVICES

FLEXI-CLEAR YANKAUER HANDLE



The Flexi-Clear Yankauer Handle is mainly used for suction therapy in surgical operation, which belongs to the part of the surgical suction assembled. Available as a set, pre-attached to 2 or 3 metre tubes. These instruments are single use and sterile.

FEATURES:

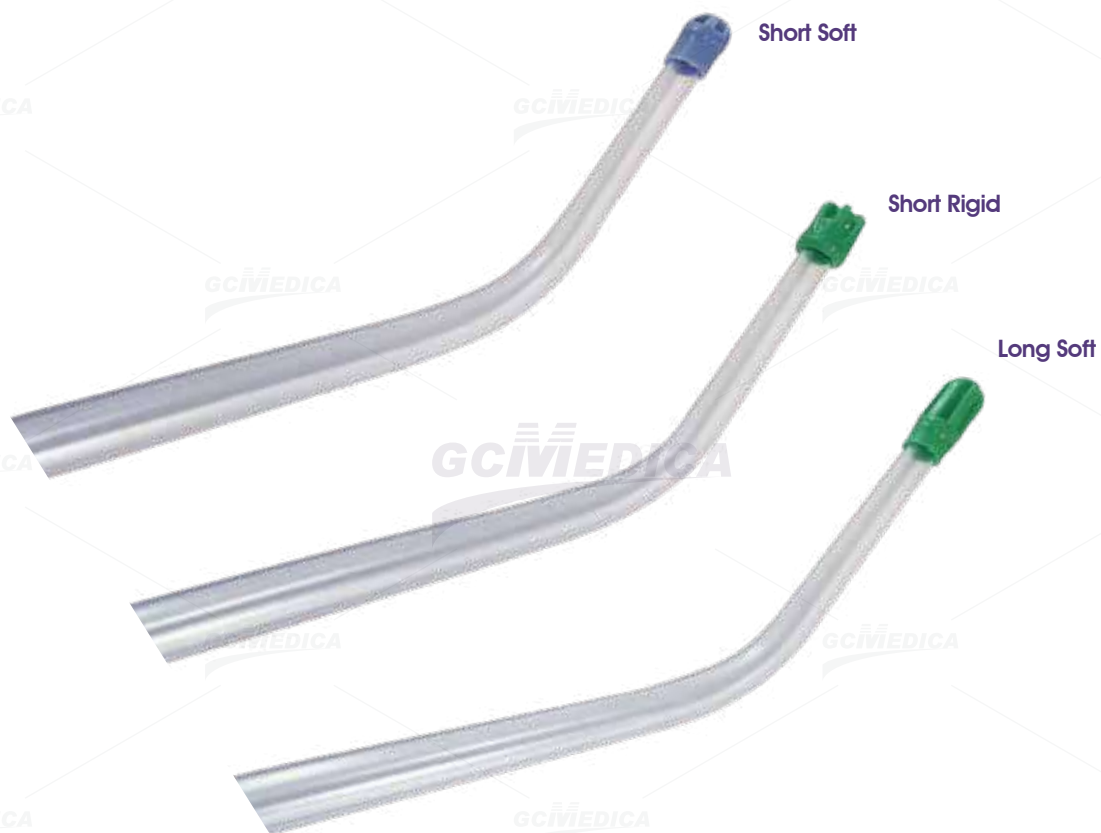
- Provide suction flexibility with clarity and visualization
- Rigid tip or flexible tip for different application
- Non-breakable flexible suction instrument
- Smooth inner lumen, come in various sizes & tip options
- Double sterile packaging in individual peel pouches

Super-Smooth Distal Yankauer

Available in various tip styles: Mini fine super, Short mini super, Maxi super and Maxi tip.

Product code	Size	Description
GC1202B4W1	12FR	Mini fine super tip with two lateral eyes, with control vent
GC1202B4N1	12FR	Mini fine super tip with two lateral eyes, without control vent
GC1202A5W1	15FR	Short mini super tip with no lateral eyes, with control vent
GC1202A5N1	15FR	Short mini super tip with no lateral eyes, without control vent
GC1202B5N1	15FR	Short mini super tip with two lateral eyes, without control vent
GC1202F6W1	18FR	Midi super tip with six lateral eyes, with control vent
GC1202F6N1	18FR	Midi super tip with six lateral eyes, without control vent
GC1202F7W1	22FR	Maxi super tip with six lateral eyes, with control vent
GC1202F7N1	22FR	Maxi super tip with six lateral eyes, without control vent
GC1202D9W2	28FR	Maxi plus tip with four lateral eyes, with control vent
GC1202D9N2	28FR	Maxi plus tip with four lateral eyes, without control vent

Atraumatic Tip Yankauer



Product code	Size	Description
GC1207S6RW	18FR	Atraumatic tip, short soft blue, with control vent
GC1207S6RN	18FR	Atraumatic tip, short soft blue, without control vent
GC1207R6RW	18FR	Atraumatic tip, short rigid green, with control vent
GC1207R6RN	18FR	Atraumatic tip, short rigid green, without control vent
GC1207L6RW	18FR	Atraumatic tip, long soft green, with control vent
GC1207L6RN	18FR	Atraumatic tip, long soft green, without control vent

MOLDED YANKAUER

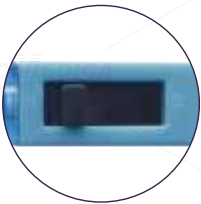
Suction Handles deliver performance and maneuverability.

Each Yankauer tip comes with large crush resistant star lumen tubing for maximum suction performance and the advantage of continuous, large flow paths to prevent clogging.

FEATURES:

- Non-vented / Vented
- One-piece design, made from a blend of clear, shatterproof and non-metamorphosed plastic
- Edges are smooth
- Smooth and uniform inner surface for rapid evacuation, fit securely on all types of tube
- Single use only
- Sterile

On/off Yankauer

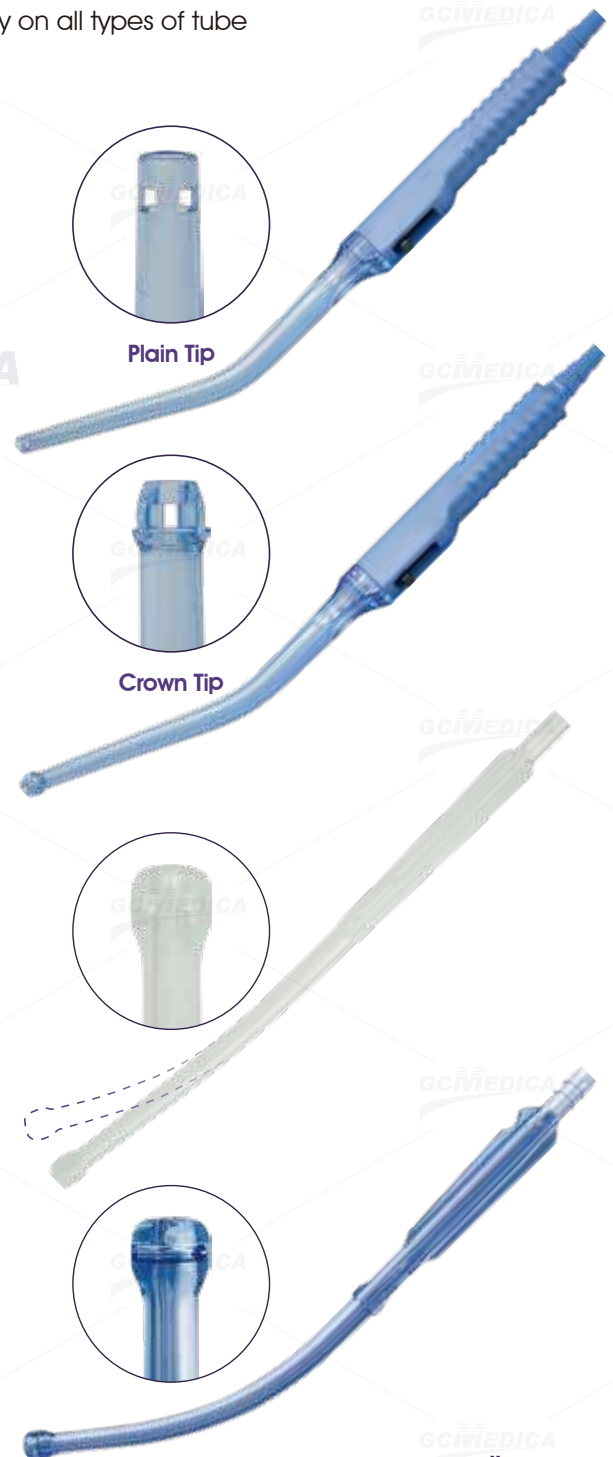


On/off Switch

Product code	Description
GC1238Y3W	Curved 155°, crown tip, with control vent
GC1239Y3W	Curved 155°, plain tip, with control vent
GC1263Y3W	Curved 155°, bulb tip, with control vent
GC1238M3W	Curved 140°, crown tip, with control vent
GC1239M3W	Curved 140°, plain tip, with control vent

Bulb Tip Yankauer

Product code	Description
GC1223F4N	Curved 120°~180°, without control vent, flexible
GC1223F4W	Curved 120°~180°, with control vent, flexible
GC1223G1N	Curved 140°, without control vent, rigid
GC1223G1W	Curved 140°, with control vent, rigid



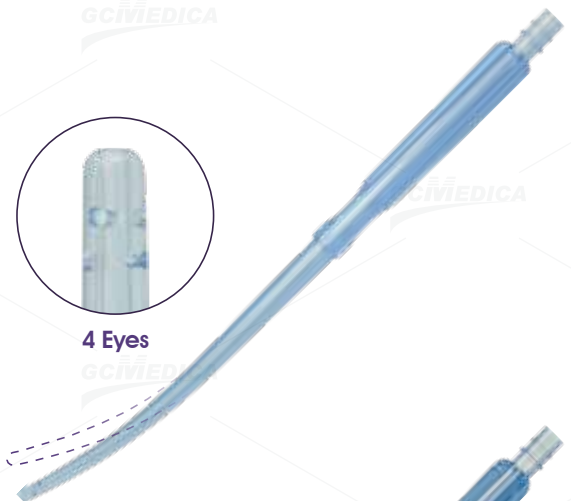
Plain Tip Yankauer

Product code	Description
GC1219A3W	Curved 150°, with control vent, rigid
GC1219A3N	Curved 150°, without control vent, rigid
GC1219S3W	Curved 160°, with control vent, rigid
GC1219S3N	Curved 160°, without control vent, rigid
GC1229L3W	Curved 155°, with control vent, rigid
GC1229L3N	Curved 155°, without control vent, rigid
GC1229K3W	Curved 135°, with control vent, rigid
GC1229K3N	Curved 135°, without control vent, rigid

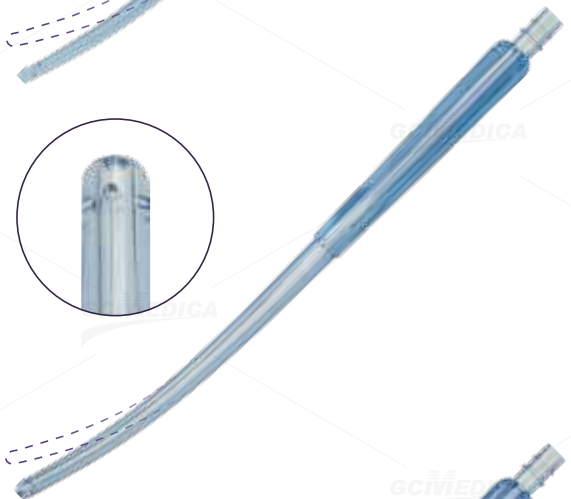


Flange Tip Yankauer

Product code	Description
GC1234X2N	Curved 153°, without control vent, flexible



Product code	Description
GC1237R2N	Curved 153°, without control vent, flexible



Product code	Description
GC1235V1N	Curved 140°, without control vent, rigid
GC1235V1W	Curved 140°, with control vent, rigid

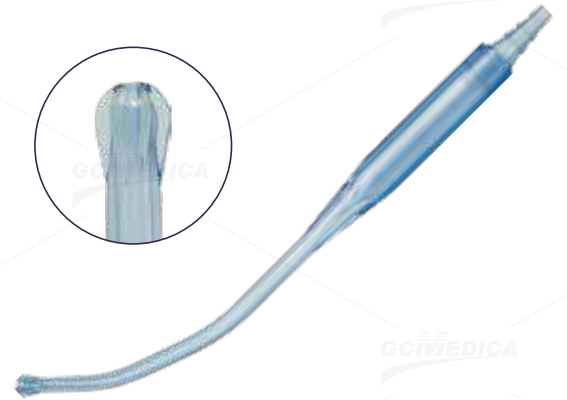


Tapered Tip Yankauer

Product code	Description
GC1215A3W	Small curved, with control vent, rigid
GC1215A3N	Small curved, without control vent, rigid
GC1215S3W	Big curved, with control vent, rigid
GC1215S3N	Big curved, without control vent, rigid



Product code	Description
GC1232C3W	Double curved, with control vent, rigid
GC1232C3N	Double curved, without control vent, rigid



Crown Tip Yankauer

Product code	Description
GC1227D3W	Double Curved 125°, with control vent, rigid
GC1227D3N	Double Curved 125°, without control vent, rigid



Product code	Description
GC1227B3N	Curved 158°, without control vent, rigid
GC1227B3W	Curved 158°, with control vent, rigid



Tri-Grasp Suction Handle

Tri-Grasp suction handles are ergonomically designed to enhance comfort and control for surgeons when performing surgical suction during operative procedures.

FEATURES:

- The ergonomic design allows the surgeon to work comfortably in any position
- Lightweight design helps to minimize hand fatigue during long procedures
- Built-in vacuum control allows surgeon to apply the necessary amount of pressure
- Relieving eyes are designed to reduce the risk of tissue damage



Plain Tip

For general suction of fluids and blood during open surgery.



Plain Tip with Relieving Eyes

For general, atraumatic surgical suction.



Tapered Tip

For neurological, cosmetic, or other operations where space is limited and to increase accuracy of suctioning.



Tapered Tip with Relieving Eyes

For increased accuracy and atraumatic surgical suction when space is limited.



Flattened Tip

For suctioning between nerves and muscle tissue.



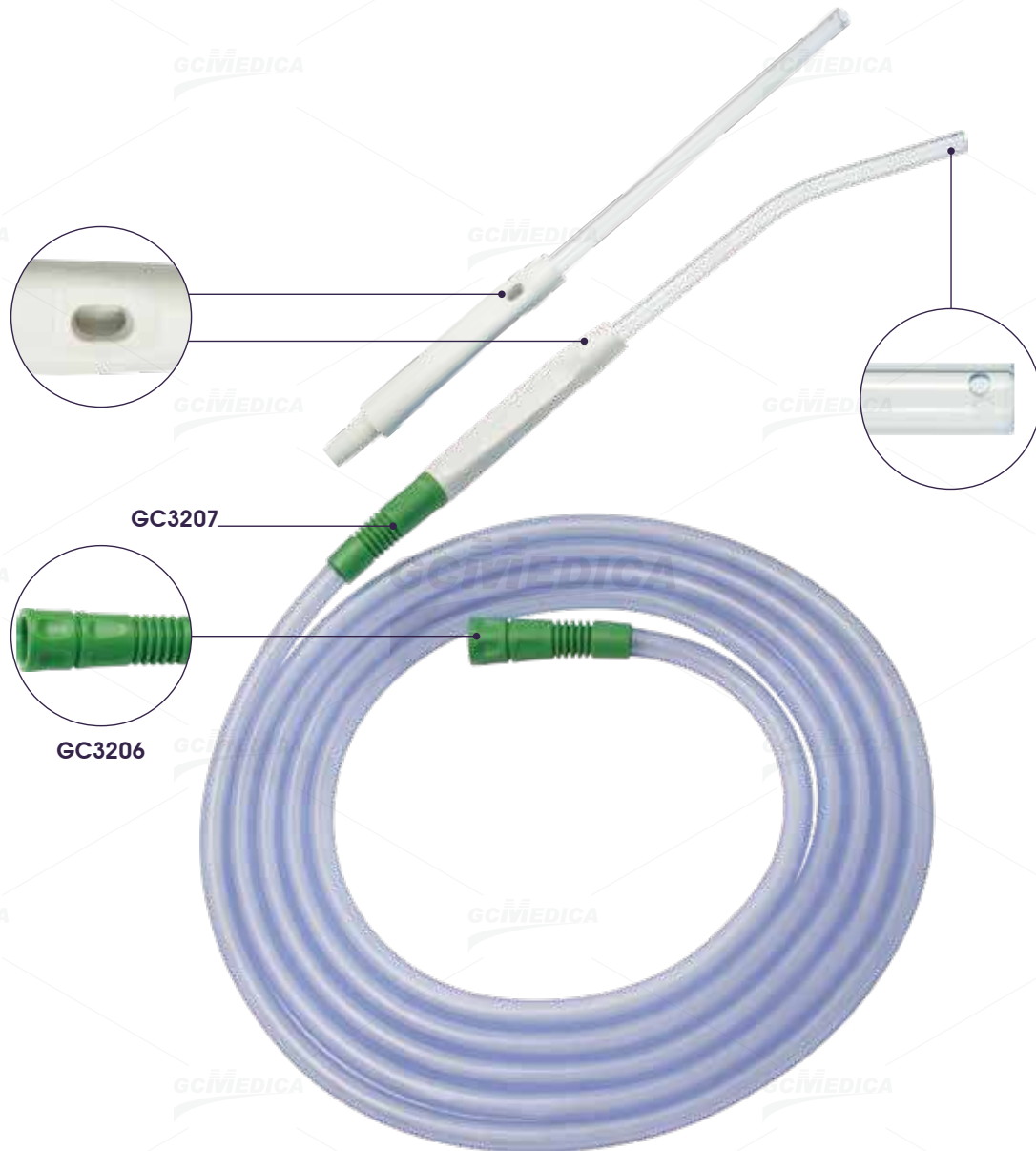
Atraumatic Tip

For operations involving delicate tissue where gentle suction is required.

Product code	Description	Suction tip	Vacuum control vent	Lateral eyes
GC1245E1W0	Plain tip 6.6mm with control vent, no lateral eyes	Plain tip O.D 6.6mm	Yes	No
GC1245E1N0	Plain tip 6.6mm without control vent, no lateral eyes	Plain tip O.D 6.6mm	No	No
GC1245E1W	Plain tip 6.6mm with control vent and lateral eyes	Plain tip O.D 6.6mm with 4 relieving eyes	Yes	4 eyes
GC1245E1N	Plain tip 6.6mm without control vent, with lateral eyes	Plain tip O.D 6.6mm with 4 relieving eyes	No	4 eyes
GC1245E1W0-24	Plain tip 7.5mm with control vent, no lateral eyes	Plain tip O.D 7.5mm	Yes	No
GC1245E1N0-24	Plain tip 7.5mm without control vent, no lateral eyes	Plain tip O.D 7.5mm	No	No
GC1245E1W-24	Plain tip 7.5mm with control vent and lateral eyes	Plain tip O.D 7.5mm with 4 relieving eyes	Yes	4 eyes
GC1245E1N-24	Plain tip 7.5mm without control vent, with lateral eyes	Plain tip O.D 7.5mm with 4 relieving eyes	No	4 eyes
GC1244E1W	Tapered tip with control vent, no lateral eyes	Tapered tip	Yes	No
GC1244E1N	Tapered tip without control vent, no lateral eyes	Tapered tip	No	No
GC1244E1W1	Tapered tip with control vent and lateral eyes	Tapered tip with 4 relieving eyes	Yes	4 eyes
GC1244E1N1	Tapered tip without control vent, with lateral eyes	Tapered tip with 4 relieving eyes	No	4 eyes
GC1248J1W	Flatten tip with control vent, no lateral eyes	Flattened	Yes	No
GC1248J1N	Flatten tip without control vent, no lateral eyes	Flattened	No	No
GC1258A6RW	Atraumatic tip with control vent, no lateral eyes	Atraumatic tip	Yes	No
GC1258A6RN	Atraumatic tip without control vent, no lateral eyes	Atraumatic tip	No	No

MegaFlow

MegaFlow Suction Handles and Sets are suction handles or sets for the interoperative removal of blood and fluids during open surgery.



Product code	Description
GC1245E1W40CC01	Plain tip 10mm with control vent and lateral eyes, Curved 150°
GC1245E1N40CC01	Plain tip 10mm without control vent, with lateral eyes, Curved 150°
GC1006S1CK38C01	Yankauer suction set, OD11.7mm, 3.5m connecting tube + GC1245E1W40CC01
GC1006S1CK39C01	Yankauer suction set, OD11.7mm, 3.5m connecting tube + GC1245E1N40CC01
GC1245N1W40CC01	Plain tip 10mm with control vent and lateral eye, straight
GC1245N1N40CC01	Plain tip 10mm without control vent, with lateral eye, straight
GC1006S1CK40C01	Yankauer suction set, OD11.7mm, 3.5m connecting tube + GC1245N1W40CC01
GC1006S1CK41C01	Yankauer suction set, OD11.7mm, 3.5m connecting tube + GC1245N1N40CC01

Male Connector Suction Tip

FEATURES:

- Each tip features the special ribbed connector, which makes it easier to grip and exchange even with wet gloves
- A wide range of tips for application in various surgical procedures
- Built-in vacuum control is available, allowing surgeon to apply the necessary amount of pressure



Product code	Description	Suction tip	Vacuum control vent	Lateral eyes
GC1257N2N	Plain tip 7.3mm without control vent, no lateral eyes	Plain tip O.D 7.3mm	No	No
GC1255E1N	Plain tip 6.6mm without control vent, with lateral eyes	Plain tip O.D 6.6mm with 4 relieving eyes	No	4 eyes
GC1257N1N	Tapered tip without control vent, no lateral eyes	Tapered tip	No	No
GC1257N1N1	Tapered tip without control vent, with lateral eyes	Tapered tip with 2 relieving eyes	No	2 eyes
GC1256J1N	Flattened tip without control vent, no lateral eyes	Flattened	No	No
GC1276A6RN	Atraumatic tip without control vent, no lateral eyes	Atraumatic tip	No	No

POOLE SUCTION HANDLE

Flexible or Rigid sump sucker with removable inner suction probe. Specifically for abdominal surgery, reducing trauma to surrounding tissues.

FEATURES:

- Constructed from a shatter-resistant plastic
- Specially designed to evacuate pooled blood, fluid or debris during deep abdominal surgeries or cesarean suction
- Perforated outer sheath for rapid evacuation of pooled blood and fluid
- Removable sheath options are available
- Features 3 multi-purpose positions
- Universal connector easily connects to a variety of suction tubing sizes
- Sterile, single patient use



Extra wide lumen for efficient suction during operations causing profuse bleeding

Poole (X-ray visible) with recessed holes for abdominal surgery and for extraction of blood and secretions with free sediment

Product code	Description
GC1243E6N	Flexible sheath, curved
GC1243N6N	Flexible sheath
GC1243N5N	Rigid sheath with 132 eyes for rapid suction
GC1243N7N	X-ray visible and removable sheath

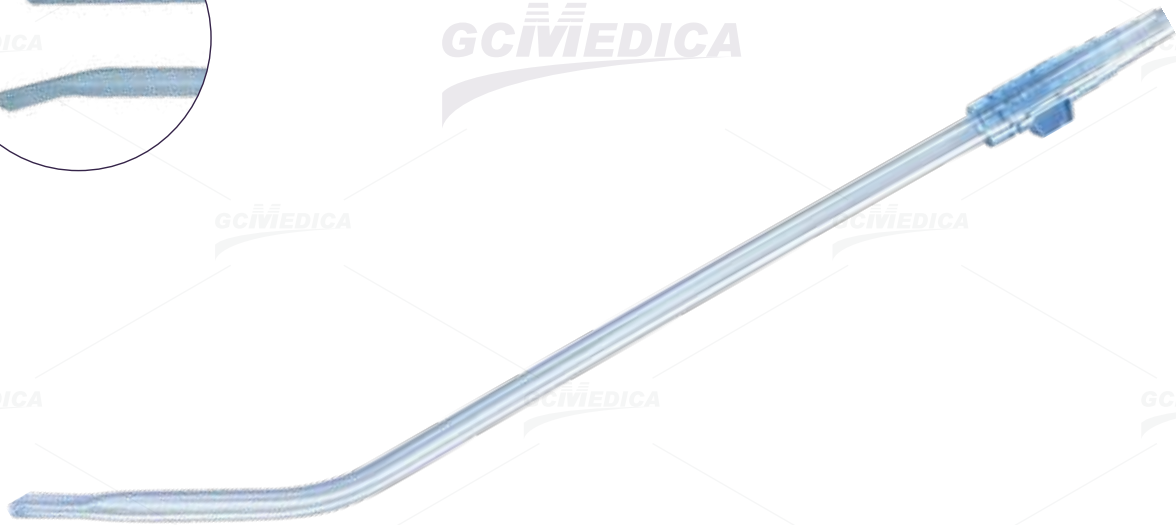
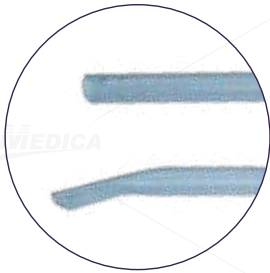
SUCTION PROBE

Suction Probe with Male Connector

For general suction purposes, orthopaedic suctioning or dental work.

FEATURES:

- Simple and economical rigid PVC suction device, used for general suction purpose
- Male connector for easily attaching to all sized suction tube



Product code	Description
GC1251J1N	Flatten tip
GC1252J1N	Straight tip

03

ORTHOPEDIC SUCTION SET

.....	20 - 23
<hr/>	
Gloria.....	20
Cora.....	21
Chloe.....	22
Mona.....	23

03 ORTHOPEDIC SUCTION SET

Gloria

Easyflow filtered suction system for orthopedic surgery. Orthopedic Suction Set with filter keeps the operative area visible, clean and clear. The special filter built into the handle automatically traps solid and can be exchanged in a matter of seconds when filled. Increased filter capacity makes the suction set ideal for hip arthroplasty and other procedures that produce a large amount of debris.

FEATURES:

- Non-block design decreases risk of damage to tissue and post-operative infection and complications
- Filter exchange takes only a few seconds
- Reversible suction tip available with straight or curved tip with length 11cm, 15cm, 23cm and 28cm



Product code	GC1200A01	GC1200B01	GC1200C01	GC1200D01	GC1200E01	GC1200F01
Extra filter	W/O	With	With	With	With	With
Tip	15cm curved tip & 23cm curved tip (2 eyes)	15cm curved tip & 23cm curved tip (2 eyes)	15cm curved tip & 23cm curved tip & 23cm straight tip (2 eyes)	15cm curved tip & 15cm straight tip (2 eyes)	23cm curved tip & 23cm straight tip (2 eyes)	15cm curved tip (2 eyes)
Drawing						

Product code	GC1200G11	GC1200G02	GC1200H01	GC1200H02	GC1200I01
Extra filter	With	With	With	With	With
Tip	11cm straight tip & 15cm curved tip & 23cm curved tip & 28cm straight tip Two way tip (2 eyes)	11cm straight tip & 15cm curved tip & 23cm curved tip & 28cm straight tip (4 eyes)	15cm curved tip & 23cm curved tip & 28cm straight tip (2 eyes)	15cm curved tip & 23cm curved tip & 28cm straight tip (4 eyes)	23cm curved tip (2 eyes)
Drawing					

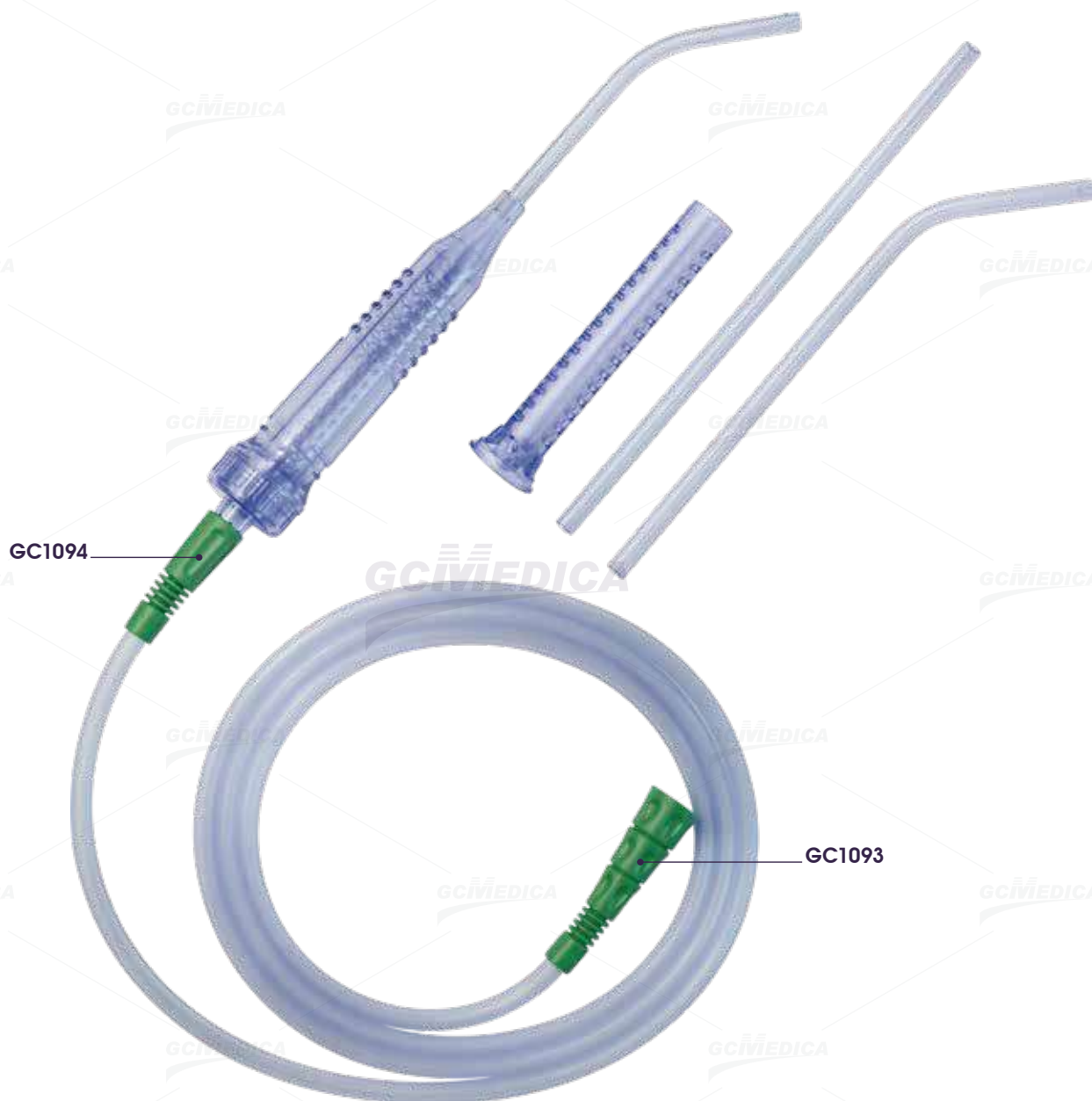
Cora



Product code	GC1200A01K	GC1200B01K	GC1200C01K	GC1200D01K	GC1200E01K	GC1200F01K
Extra filter	W/O	With	With	With	With	With
Tip	15cm curved tip & 23cm curved tip (2 eyes)	15cm curved tip & 23cm curved tip (2 eyes)	15cm curved tip & 23cm curved tip & 23cm straight tip (2 eyes)	15cm curved tip & 15cm straight tip (2 eyes)	23cm curved tip & 23cm straight tip (2 eyes)	15cm curved tip (2 eyes)
Drawing						

Product code	GC1200G11K	GC1200G02K	GC1200H01K	GC1200H02K	GC1200I01K
Extra filter	With	With	With	With	With
Tip	11cm straight tip & 15cm curved tip & 23cm curved tip & 28cm straight tip Two way tip (2 eyes)	11cm straight tip & 15cm curved tip & 23cm curved tip & 28cm straight tip (4 eyes)	15cm curved tip & 23cm curved tip & 28cm straight tip (2 eyes)	15cm curved tip & 23cm curved tip & 28cm straight tip (4 eyes)	23cm curved tip (2 eyes)
Drawing					

Chloe



Product code	Description
GC1006B1U	Yankauer suction set, OD8.0mm, 3.0m connecting tube + GC1200L02K

Mona



Straight Tip



Curved Tip

Product code	Description
GC1200O01	Short tip, OD7.0mm
GC1200P01	Short curved tip, OD7.0mm
GC1200Q01	Long tip, OD8.5mm
GC1200R01	Long curved tip, OD8.5mm
GC1200S01	Short curved tip, OD7.0mm

04

SUCTION CONNECTING TUBES

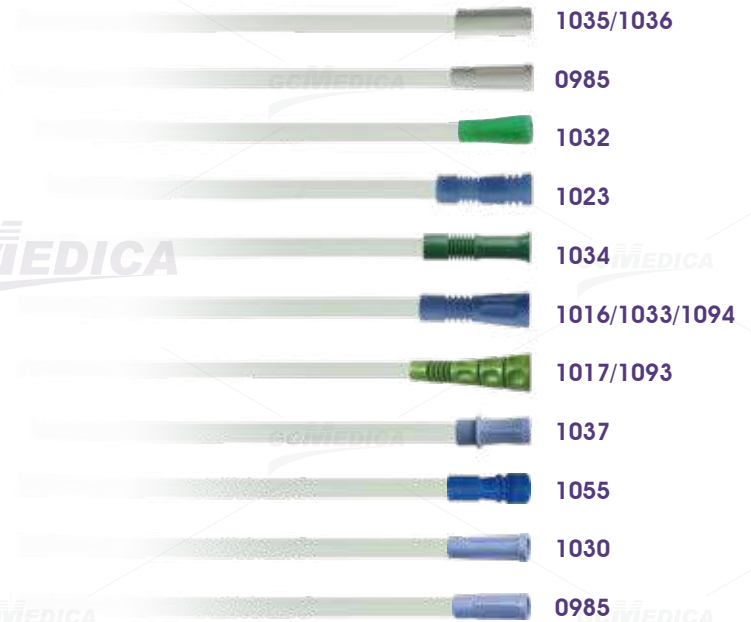
.....	24 - 28
Male Connector.....	24
Suction Connecting Tubes.....	25
Suction Bubble Tubes.....	25
Suction Connectors.....	26
Conductive Suction Connecting Tubes.....	27
Conductive Bubble Tubes.....	28

04 SUCTION CONNECTING TUBES

A complete system to connect suction sources to suction waste collection systems, suction catheters, Yankauers, and other suction devices. We could offer a range of easily connected, interchangeable products.

FEATURES:

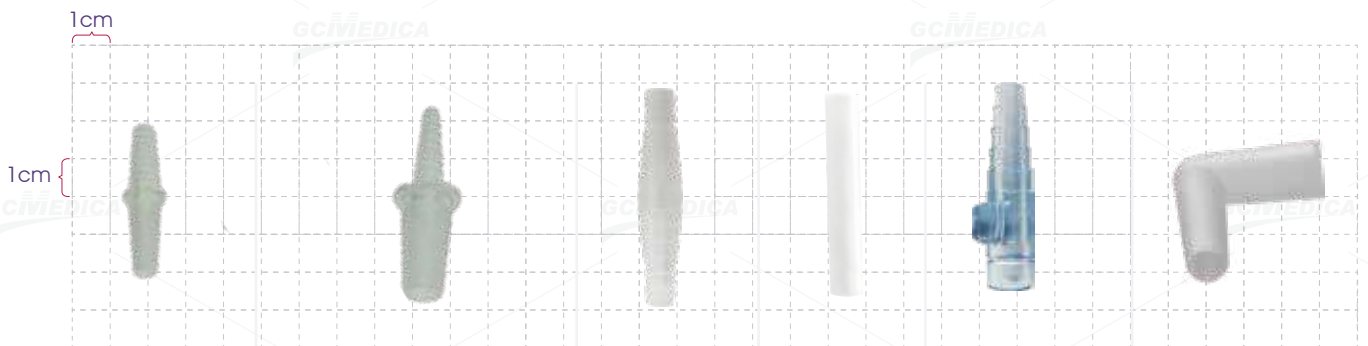
- Different connectors available for doctor's preference
- Tube diameter is sized from 3/16' to 1/4' and 9/32'
- Length can be customized according to customer's requirements



Male Connector

FEATURES:

- Attachable to different sized tubes
- Transparent color is available for monitoring fluids
- Available in a variety of sizes



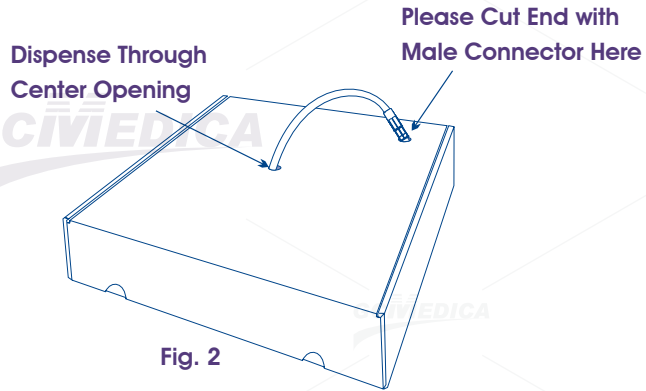
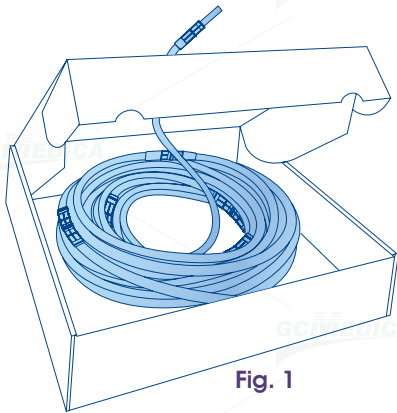
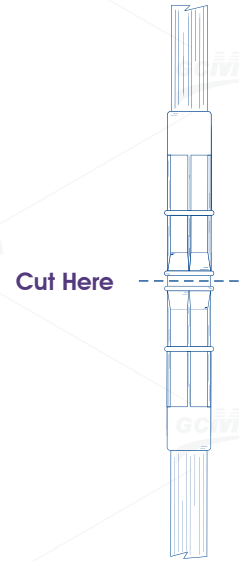
Code	O.D.	Code	O.D.	O.D. 7.3-12mm	O.D 8mm	O.D. 6.8-11.3mm	O.D 6.5&11.3mm
GC1065	4-7mm	GC1068	4-7mm/7-10mm	GC1025	GC1028	GC1024	GC1029
GC1066	7-10mm	GC1069	4-7mm/10-14mm				
GC1067	10-14mm	GC1070	7-10mm/10-14mm				

Suction Connecting Tubes

FEATURES:

- Clean bulk tubing in rolls that can be cut into the exact length needed
- Cut-to-size female connectors are located at 6ft. intervals

Product code	Description
GC1731A1L	7.5mm OD
GC1731C1L	9.0mm OD
GC1731D1L	10.0mm OD



Suction Bubble Tubes

FEATURES:

- Easily cuts to desired length with scissors
- Bubble every 36 inches

Product code	Description
GC1301A05	5.0mm ID, 30m, smoothbore tube
GC1301A06	6.0mm ID, 30m, smoothbore tube
GC1301A07	7.0mm ID, 30m, smoothbore tube
GC1302A05	5.0mm ID, 30m, anti-crush tube
GC1302A06	6.0mm ID, 30m, anti-crush tube
GC1302A07	7.0mm ID, 30m, anti-crush tube

Suction Connectors

“T” Tubing Connector

Joins three sections of tubing. Five steps on each leg provides connections of any size tubing from 5 to 11mm (3/16” to 7/16”).

6-in-1 “Y” Tubing Connector

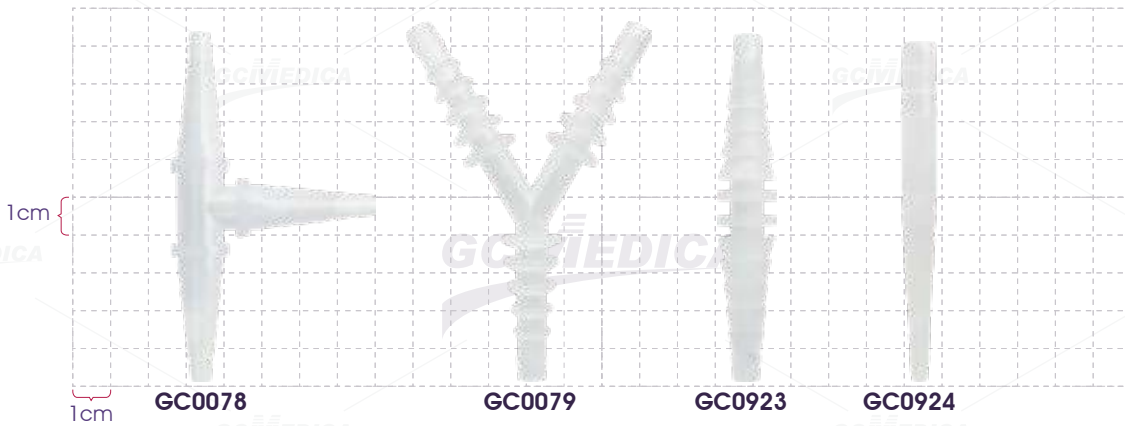
Tapered legs fit six sizes of tubing, from 6mm to 15mm (1/4” to 9/16”).

5-in-1 "Straight" Tubing Connector

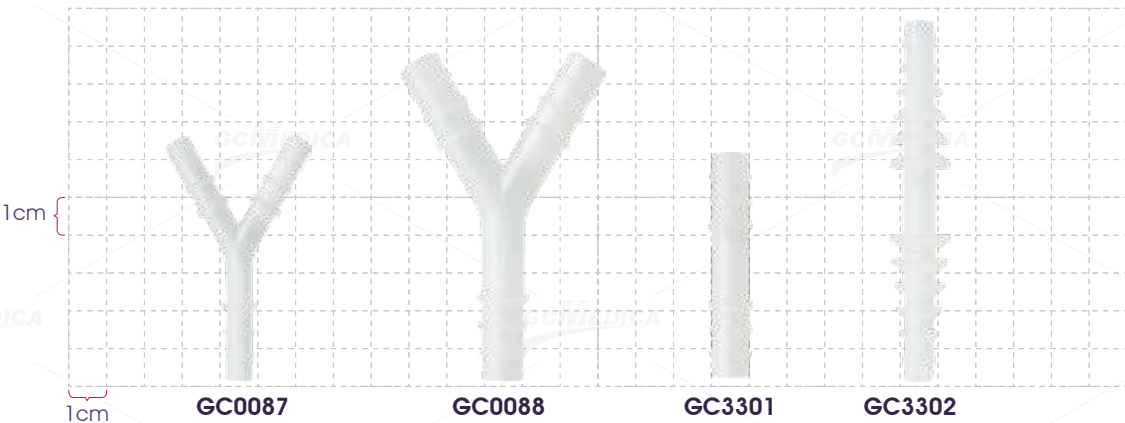
Lightweight plastic connectors allow for multiple pieces of tubing to be joined together.

SIMS Connector / Irrigation Nozzle

Nozzle fits any size tubing from 3 to 6mm (1/8” to 1/4” in seven size increments. Connect same size to same size or use as a reducer from 1/4” to 1/8” tubing.)



Product code	Description
GC0078	“T” Tubing Connector
GC0079	6-in-1 “Y” Tubing Connector
GC0923	5-in-1 "Straight" Tubing Connector
GC0924	SIMS Connector / Irrigation Nozzle

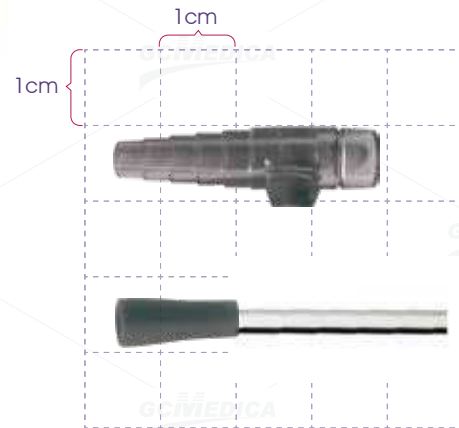


Product code	Description
GC0087	Connector 6 in 1 straight
GC0088	Connector Y 1/4"
GC3301	3/8"connector fits tubing from 5/16" to 7/16 (8-11mm).
GC3302	3/8"connector is used to join two sections of 3/8"(10mm) tubing.

Conductive Suction Connecting Tubes

FEATURES:

- GC Medica Suction Connecting Tubing with Vacuum control connector for connecting suction machines to suction tips, and suction waste collection units
- Female / Female and Male Vacuum Control Adapter Connection
- Conductive with anti-static tube



Product code	Description
GC1532L2L	3m-8.0 × 5.0mm
GC1532C2L	3m-9.0 × 6.0mm
GC1532D2L	3m-10.0 × 7.0mm

Conductive Bubble Tubes

FEATURES:

- GC Medica Suction Bubble Tubing can be easily cut through the bubble with scissors to create the desired length and/or tapered end to fit any suction catheter or suction tip
- Conductive



Product code	Description
GC1307C05	5.0mm ID, 3.0m
GC1307C06	6.0mm ID, 3.0m
GC1307C07	7.0mm ID, 3.0m



CONTACT US



**LOUJIN INDUSTRIAL PARK, SHUOFANG,
WUXI 214143, Jiangsu, P.R.CHINA**



86-510-82733575



INFO@GCMEDICA.COM



WWW.GCMEDICA.COM

Version: DFE12

We reserve the right to correct any errors that may occur in this brochure.